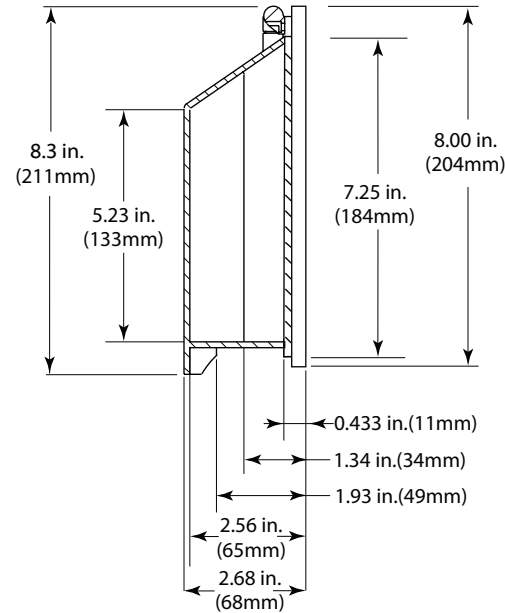
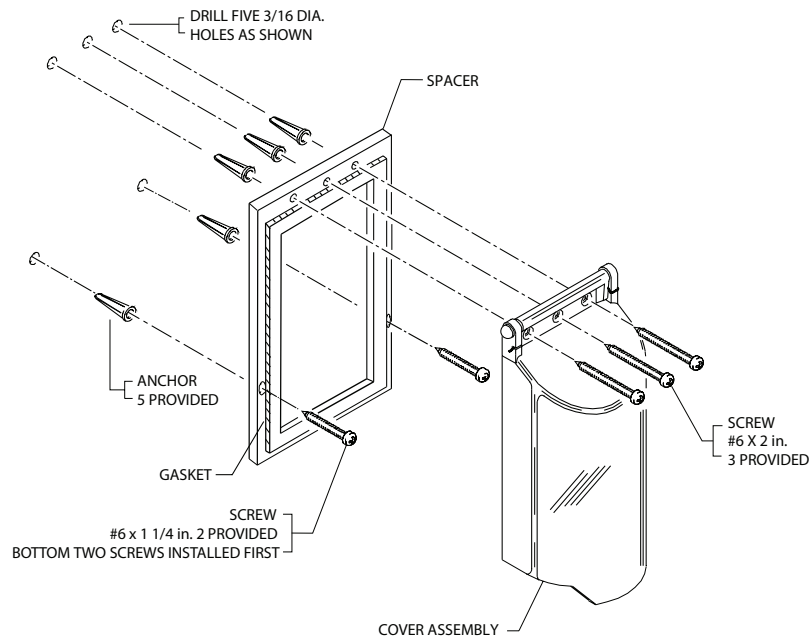
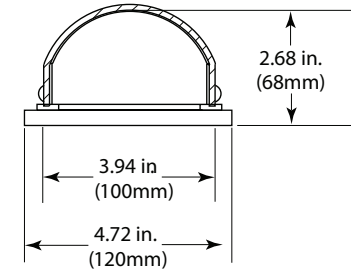


Zodiac Enclosure with Flip-up Cover Installation Guide

CA-ZODCOVER



SIDE VIEW



END VIEW

INSTALLATION INSTRUCTIONS

1. Using the spacer as a template, mark and drill five 3/16 diameter holes.
2. Install the five anchors and fasten the two bottom screws of the spacer.
3. Install the cover assembly with the three remaining hinge screws.

CLEANING INSTRUCTIONS

1. Rinse cover with water to remove abrasive dust and dirt.
2. Wash with soap or mild detergent using a soft cloth (DO NOT SCRUB).
3. Rinse once more, then dry with a soft cloth or chamois.
4. To remove grease or wet paint, rub gently with a cloth wetted thoroughly with naphtha, then wash and rinse (DO NOT USE RAZOR BLADES).