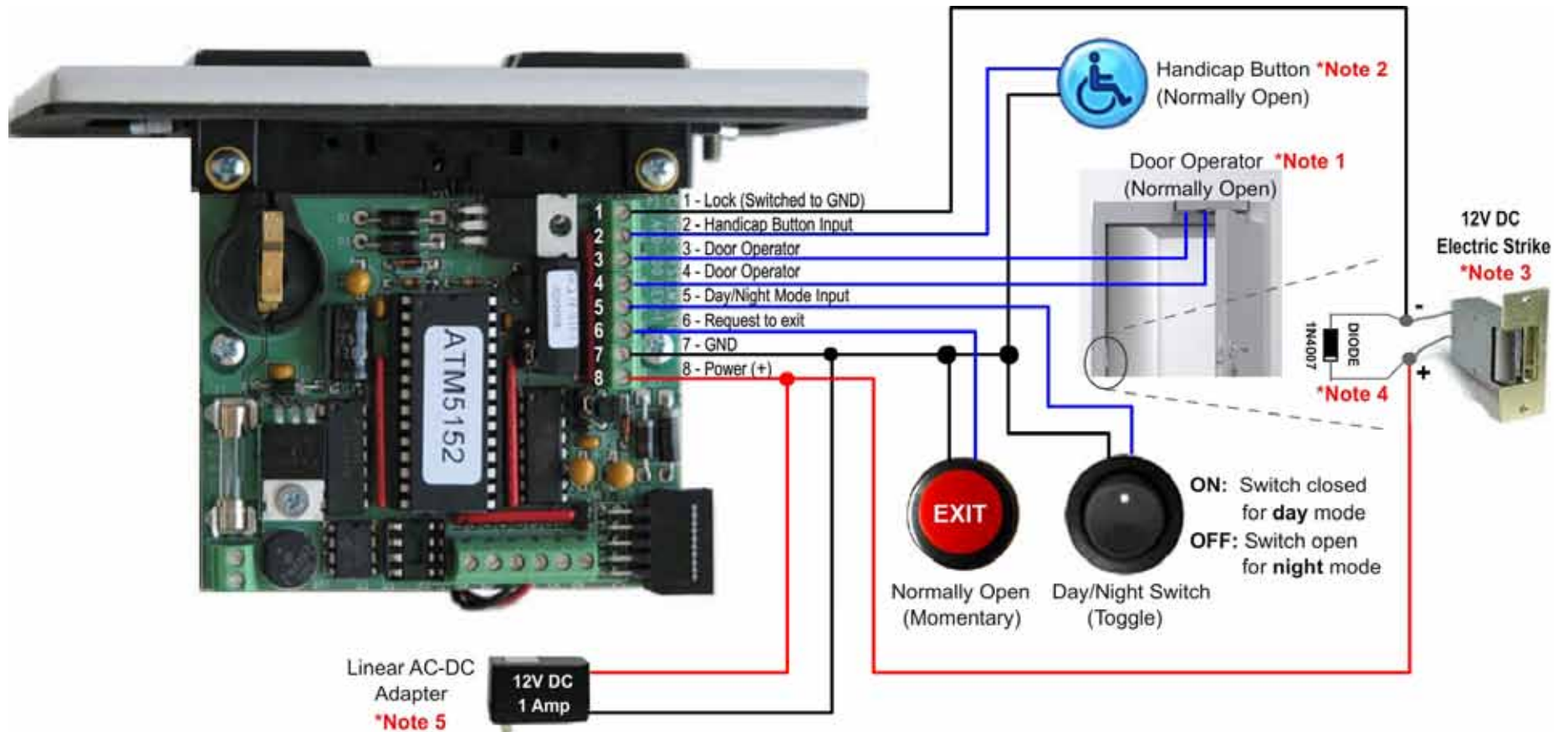


ATM 5000 SERIES READER WIRING DIAGRAM

12V DC Electric Strike (≤ 500 mA) Using Internal Power Supply

* See Over For > 500 mA Connection

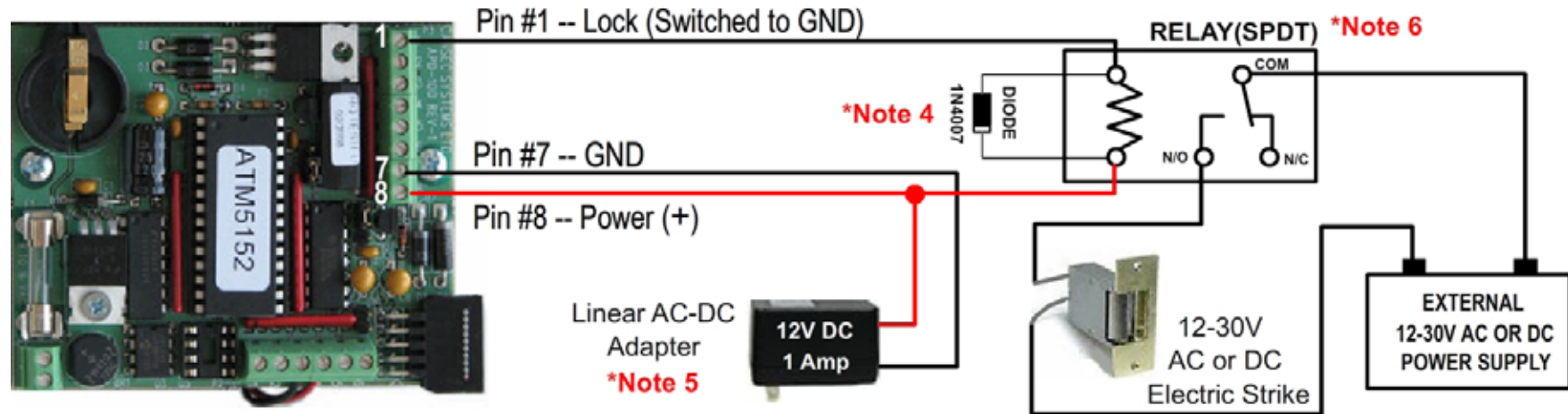
IMPORTANT: Do not use this system with electromagnetic lock due to Fire Code regulations.



G Electric Strike (>500 mA) Using External Power Supply

Electric strikes that draw more than 500mA should be powered from the external power supply.

IMPORTANT: Do not use this system with electromagnetic lock due to Fire Code regulations.



G Notes

1. On board relay for door operator is rated at a maximum switching current of 250 mA.
2. Optional feature: connect Pin #2 (Handicap) to Pin #7 (GND), reader releases lock and activates door operator.
3. Maximum switching current to remote coil (12V DC Electric Strike) or 12V DC external relay (coil) is rated at 1 Amp.
4. Use diode supplied 1N4007 for proper operation, diode must be located at the Electric Strike (coil) or at the coil of the external relay.
5. Linear AC-DC Adapter (Input: 120V AC 60Hz 16W, Output: 12V DC 1 Amp). See “Parts Supplied” below.
6. 12V DC relay (coil) required.

G Additional Notes

- ATM 5000 series is available in 3 faceplate models.
- Do not use this system with electromagnetic lock due to Fire Code regulations.
- The electric strike should be fail-secure.

G Parts Supplied

- 1N4007 Diode
- ATM 5000 Series Reader Wiring Diagram
- Linear AC-DC Adapter* included only for U.S. and Canadian customers. Foreign customers must source a suitable linear supply with output of 12V DC 1 Amp.