

3/4" PRESS FIT MAGNETIC CONTACT

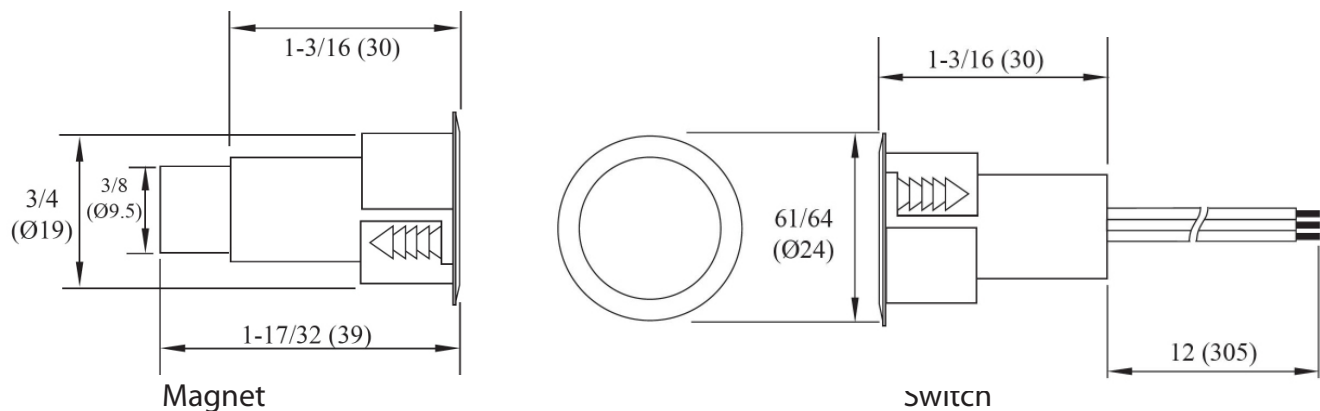
APPLICATION The CA-CONTACTCL is a UL listed contact designed to provide a clean and easy installation for standard openings. The CA-CONTACTCL provides a wide 1 1/4" operating gap. These contacts are perfect for commercial applications where steel doors are common.

FEATURES

- UL Listed
- 1 1/4" operating gap
- Self-locking
- Available in gray



DIMENSIONS



SPECIFICATIONS

Color	Grey
Stock Number	4350160
Contact	22 AWG 12" Lead
Contact Rating	10 VA
Contact Type	Form A N.O.
Max. Carry Current	1.0 Amp
Max. Switching Current	0.3 Amp
Breakdown Voltage	200 VDC
Operating Gap	1 1/4"
Mounting Method	Press fit
Operating Temperature Range	32°F to 120°F (0°C to 49°C)
Warranty	1 year

PART NUMBER CA-CONTACTCL