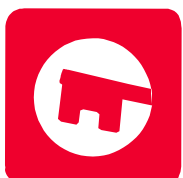
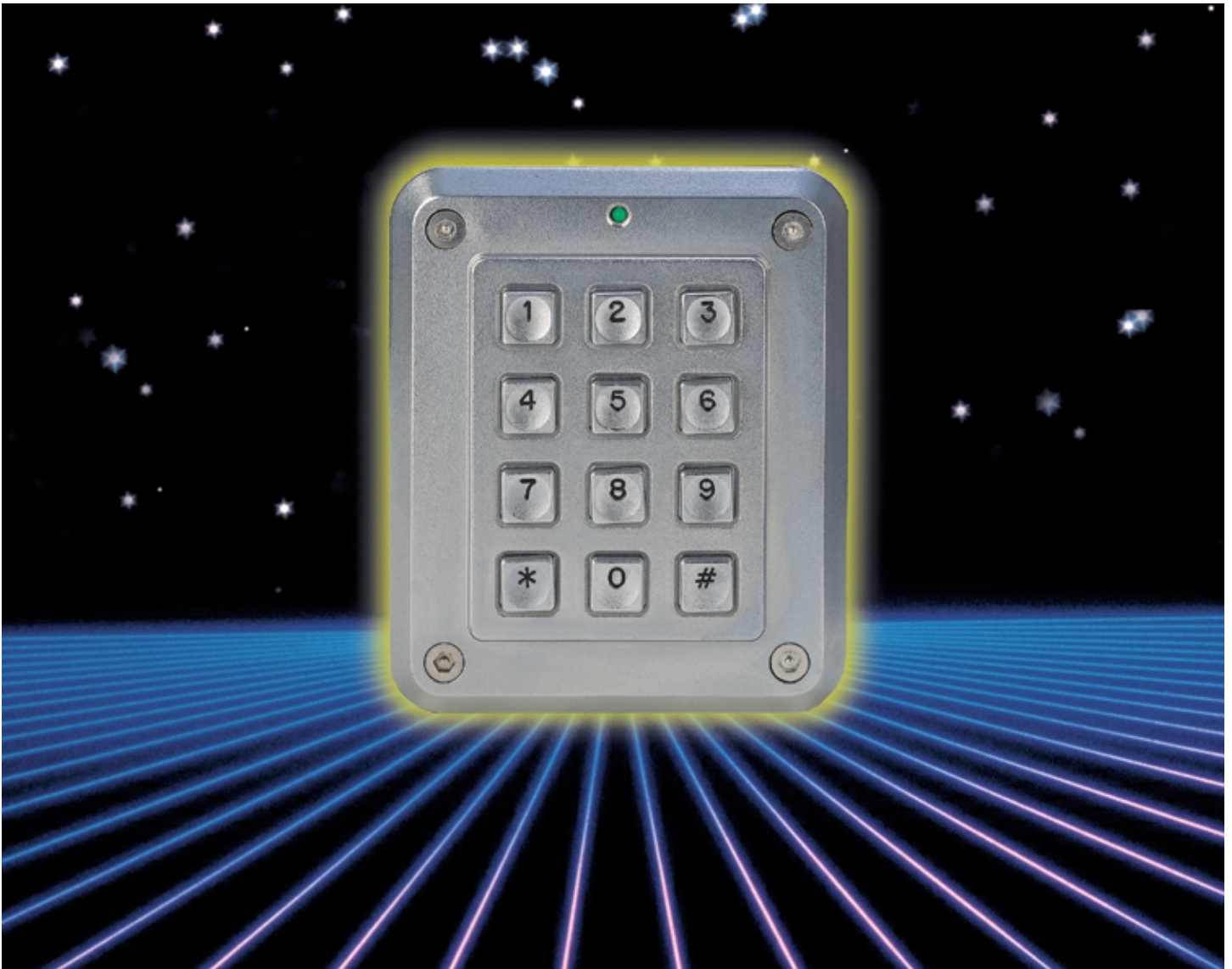




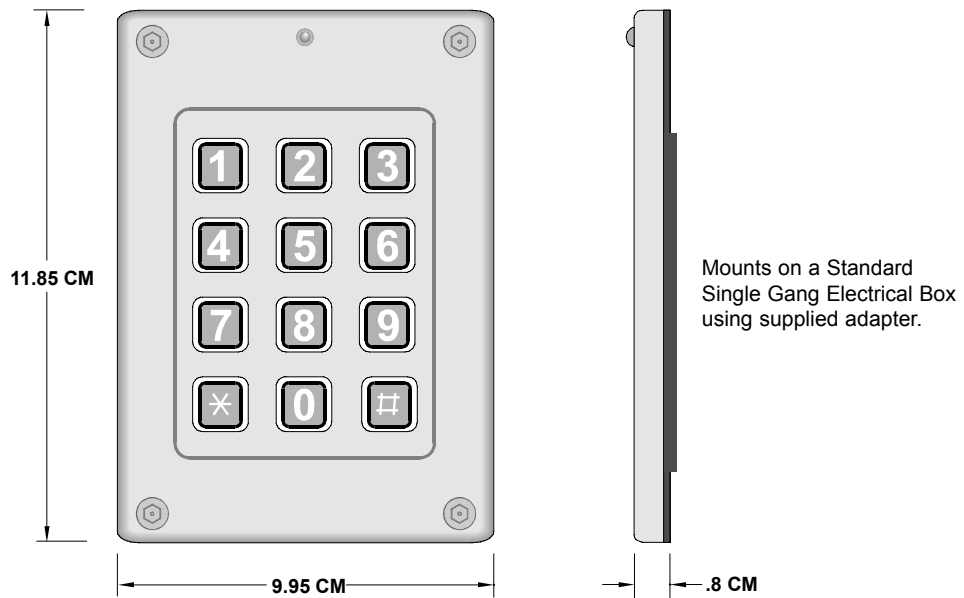
WK200

WIEGAND EMULATING KEYPAD



FEATURES

- Standard Wiegand Output
- Stainless Steel Construction
- Built-In Sonalert
- Indoor / Outdoor use
- Up to 500 Feet from Control Panel
- Bi-Color Status LED



STANDARD 26 BIT WIEGAND OUTPUT... WK200 Keypad Readers are available with standard 26 bit wiegand output and are compatible with virtually all access control systems.

CANSEC OUTPUT... WK200 Keypad Readers are also available with Cansec's proprietary wiegand output for use with Cansec's complete line of access control systems.

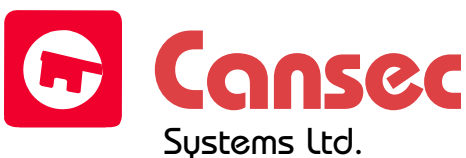
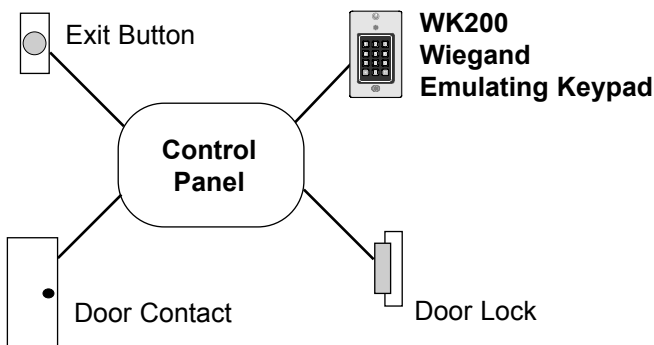
A Bi-Colour LED and Sonalert provide users with both visual and audible signals of "Access Granted" or "Access Denied" conditions.

Lasting durability and reliability are provided by solid construction with a .8 cm thick stainless steel face plate and stainless steel keys.

Model	Description
WK200S	Wall Mount - Standard 26 Bit Wiegand Output
WK200C	Wall Mount - Cansec Proprietary Wiegand Output

Specifications	WK200
Bi-Color LED	standard
Sonalert	standard
Operating Temp.	-40°C to 70°C (-40°F to 158°F)
Environment	Indoor/Outdoor
Supply Voltage	+5 to +12VDC
Supply Current	30mA max.
Back Box	single gang electrical box
Cable Requirements	22 AWG, 5 to 7 conductor, overall shield, stranded

Typical Door Configuration:



3105 Unity Drive, Unit #9
Mississauga, Ontario,
Canada, L5L 4L2
Tel: (905) 820-2404
Fax: (905) 820-0301
<http://www.cansec.com>

Distributed by:

