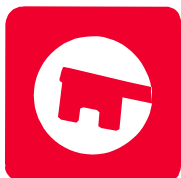




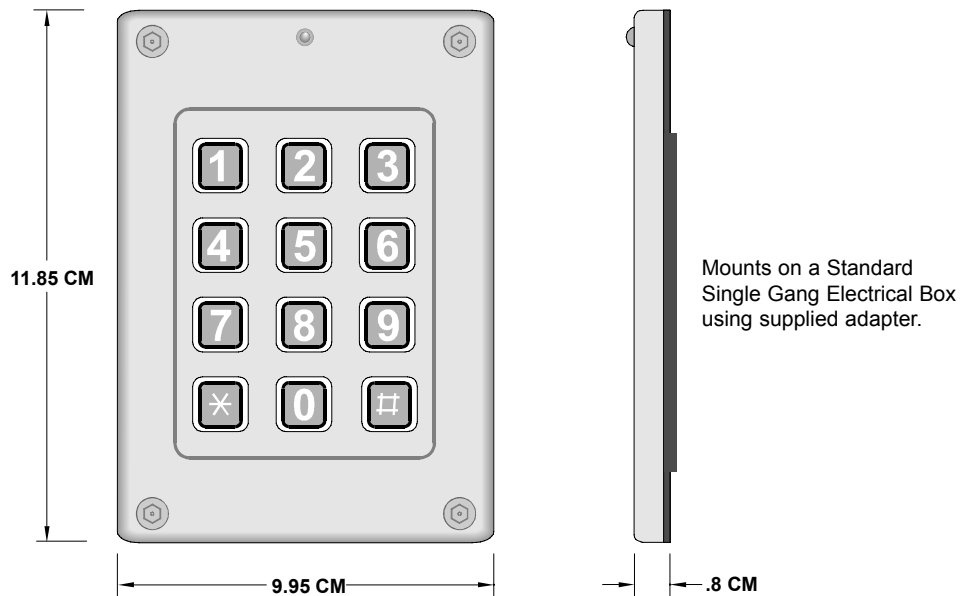
AKP200

ADVANCED KEYPAD FOR CARD + PIN FUNCTIONALITY



FEATURES

- Adds "CARD+PIN" Capability to Readers
- Up to 10 Unique PIN's / Cardholder
- DES Encryption
- Indoor / Outdoor use
- Built-In Sonalert
- Bi-Color Status LED



AKP200 ADVANCED KEYPAD... for use with readers to provide the added security of Personal Identification Numbers (PIN's).

Unique 4-Digit PINS... for each cardholder are derived by applying a DES algorithm, resident in the AKP200, to each card number and the customer's unique system code.

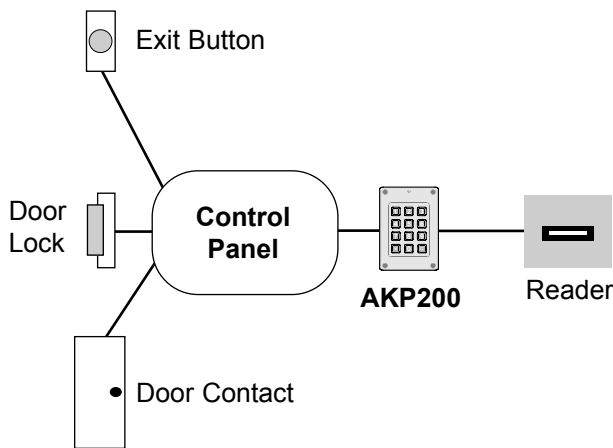
With up to 10 algorithms to choose from, a user may be assigned the same PIN number for all doors or up to 10 unique PIN's each valid for different doors.

SILENT DURESS ALARM... can be transmitted to the PC by simply adding a special keystroke when entering a PIN.

The Bi-Colored LED and Built-In Sonalert provide users with both visual and audible signals of access granted, access denied, and when the PIN must be entered.

The AKP200 is designed for interior/exterior flush mounting on a standard single gang electrical box. Lasting durability and reliability are provided by solid construction with a 1/4" thick brushed anodized aluminum face plate and a weatherproof membrane keypad.

Typical Door Configuration:



Specifications	AKP200
Bi-Color LED	standard, Red and Green
Sonalert	standard
Operating Temp.	-40°C to 70°C (-40°F to 158°F)
Environment	Indoor/Outdoor
Supply Voltage	+5 to +12VDC
Supply Current	30mA max.
Back Box	single gang electrical box



3105 Unity Drive, Unit #9
Mississauga, Ontario,
Canada, L5L 4L2
Tel: (905) 820-2404
Fax: (905) 820-0301
<http://www.cansec.com>

Distributed by: