



CanProx One

INSTALLATION INSTRUCTIONS

(Reader)



Cutting edge simplicity

January 2008

Table of Contents

Introduction	3
Specifications	3
Reader Wiring	4
Wall Mounting	4
Mullion Mounting	5
Removing the Reader Cover	6
Troubleshooting	6

Introduction

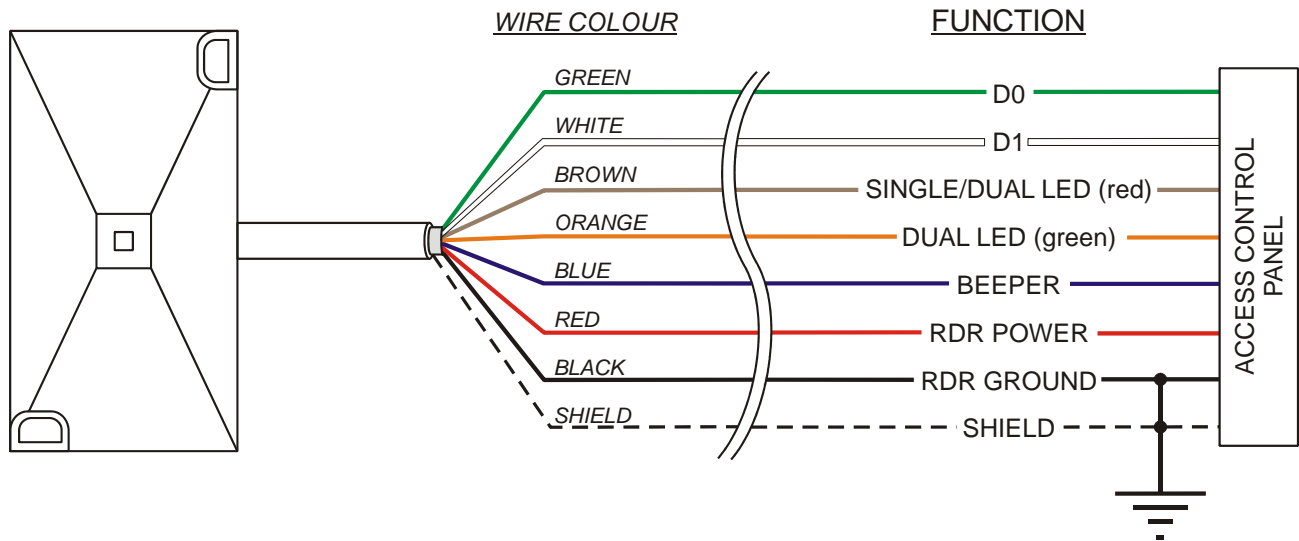
The CanProx One proximity reader is mullion mountable and includes an adapter plate for wall mounting. Readers have 26-bit and 37-bit Wiegand output capability. Credentials for the Cansec/AWID-compatible reader (CA-CPIR) include a standard, clamshell-style proximity card, ISO-thin proximity card – standard and magnetic stripe – and Cansec’s CanProx One proximity key fob. Credentials for the HID-compatible reader (CA-CP1RHID) include HID clamshell and graphics cards and the HID proximity key fob. Read range varies between credentials and with input voltage.

Specifications*

Description:	CanProx One multi-mount proximity reader <i>Available in AWID- and HID-compatible versions</i>
Warranty:	Lifetime
Operating Voltage:	5 to 14 VDC
Current Draw:	5 mA min., 45 mA typical, 80 mA max.
Output Format:	26-bit & 37-bit Wiegand
Frequency:	125 KHz
Range: up to 5” (varies with reader voltage and credentials)	
Operating Temp:	40 °C to 65 °C (-40 °F to 149 °F)
Dimensions:	
Wall Mount:	70mm (w) x 115mm (h) x 23mm (d) [2.8 in (w) x 4.5 in (h) x 1.0 in (d)]
Mullion Mount:	40mm (w) x 98 mm (h) x 17mm (d) [1.6 in (w) x 3.9 in (h) x 0.7 in (d)]
Weight:	approx. 85 g (3 oz)
Colour:	Flat black
Housing:	High impact ABS
Mounting:	Wall or mullion
Environment:	Indoor/outdoor
Rated IP 66:	Sealed against dust; protection against powerful water jet
LED:	Four-state (red, green, amber, off)
Beeper:	Standard
Cable:	up to 7 conductors, 22 AWG, stranded, overall shield; 150 m (500 ft) max length

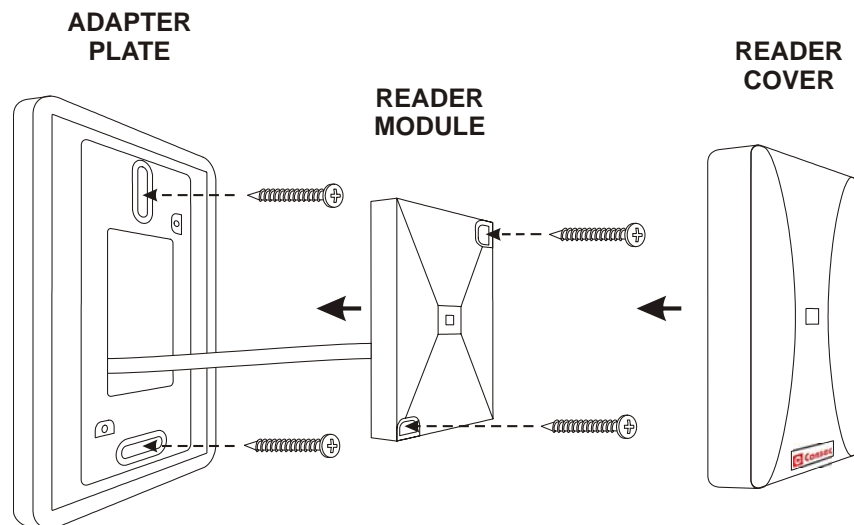
*Specifications subject to change without notice

Reader Wiring



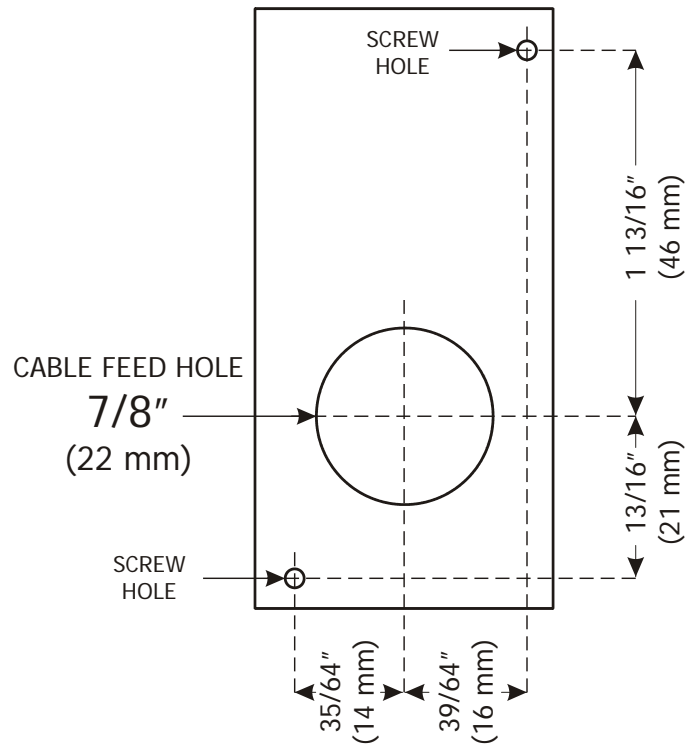
Wall Mounting

1. Screw the adapter plate to a standard single gang electrical box.
2. Wire the reader module to the access control panel. Screw the reader module to the adapter plate.
3. Snap the reader cover on.

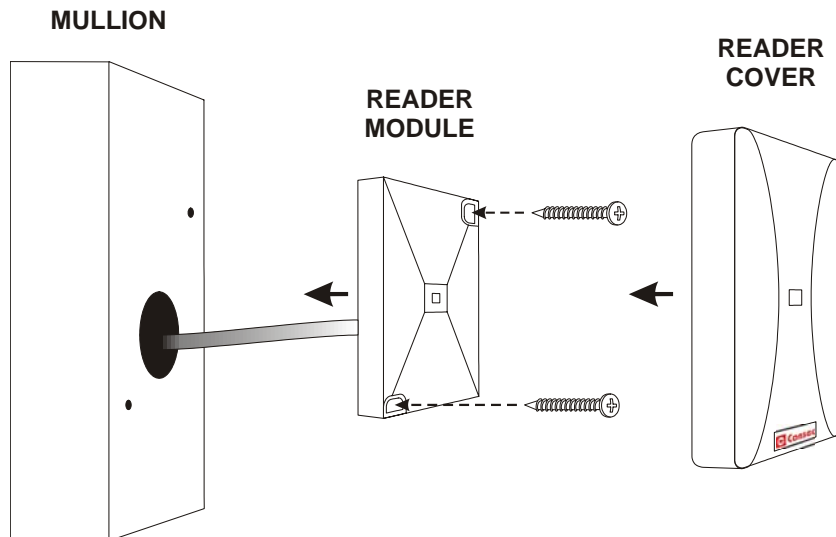


Mullion Mounting

1. The drawing on the right shows the respective locations of each hole and their specific sizes for mounting the reader module. Drill these holes accordingly. For the screw holes, drill an appropriate pilot hole for the screws you intend to use.

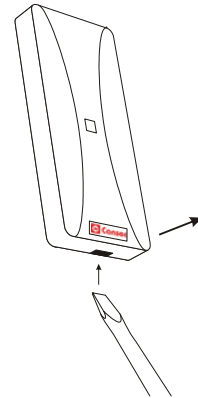


2. Wire the reader module to the access control panel. Screw the reader module to the mullion.
3. Snap the reader cover on.



Removing the Reader Cover

1. Insert a slotted screwdriver into the slot located at the bottom of the reader cover.
2. Gently pry the reader cover off.



Troubleshooting

PROBLEM	POSSIBLE CAUSE	CORRECTIVE ACTION
The reader does not recognize a card/tag (no beep, no LED flash).	1. One or more of the readers' wiring connections are incorrect.	Power down the reader/access panel and check that your wiring is correct.
	2. The reader is not receiving proper power from the access panel.	Measure the voltage at the reader. It should be between +5 VDC and +14 VDC.
	3. The reader is mounted too close to a device that radiates electromagnetic interference.	If possible, install the reader in a different location or move any other electronic devices away from the reader.
	4. You are using an incorrect type of card.	Make sure you are using an access card that is compatible with the reader.
The reader has a short read range.	1. The reader or access panel is not properly grounded.	Make sure the access panel has a solid Earth ground and that the reader has a common ground with the panel.
	2. The connection of the readers shield wire has opened somewhere.	Check the shield line for open connections. Make sure it is properly connected to the access panel.
	3. The reader is mounted too close to a device that radiates electromagnetic interference.	If possible, install the reader in a different location or move any other electronic devices away from the reader.
	4. The power supply is generating electromagnetic interference.	The power supply on the access panel must be a regulated, linear supply. Switching supplies are often sources of electromagnetic interference.

CanProx One is compliant with the following organizations:



FCC compliance statement: This device complies with part 15 of the FCC rules. Operation is subject to the following two conditions:

- (1) This device may not cause harmful interference; and
- (2) This device must accept any interference received, including interference that may cause undesired operation.

